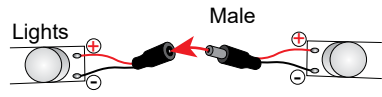
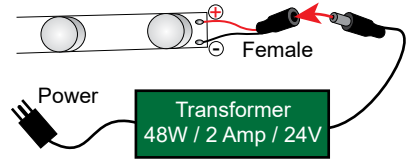


Light to Light Attachment



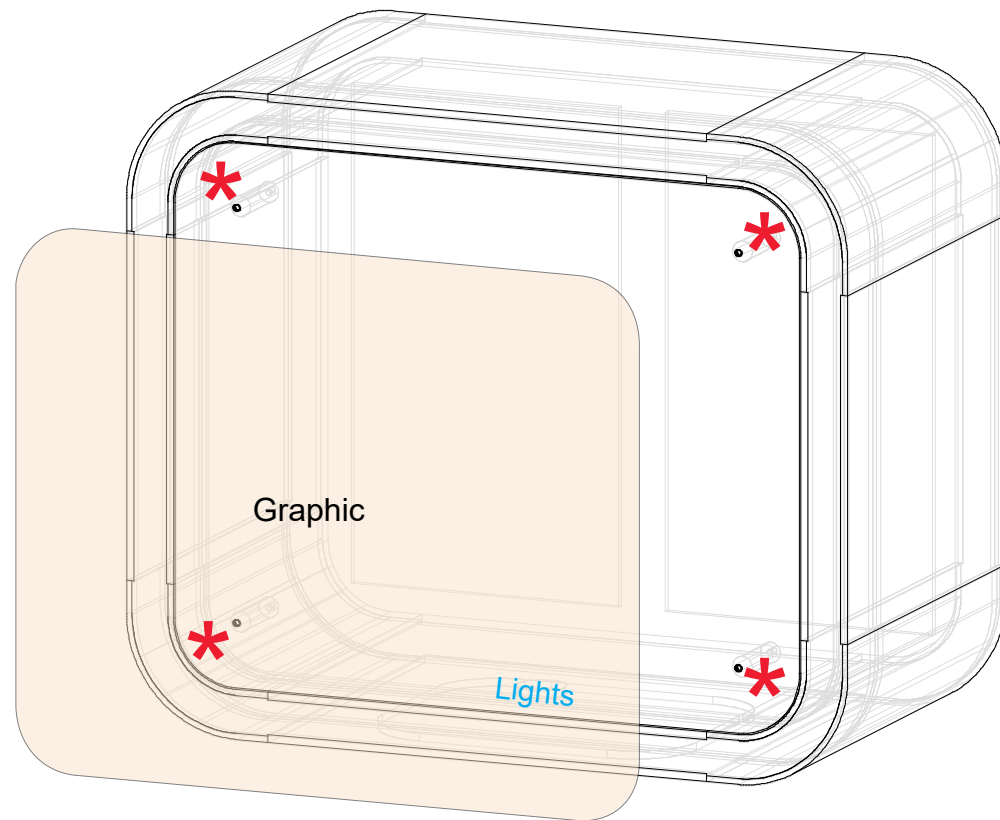
Light to Transformer Attachment



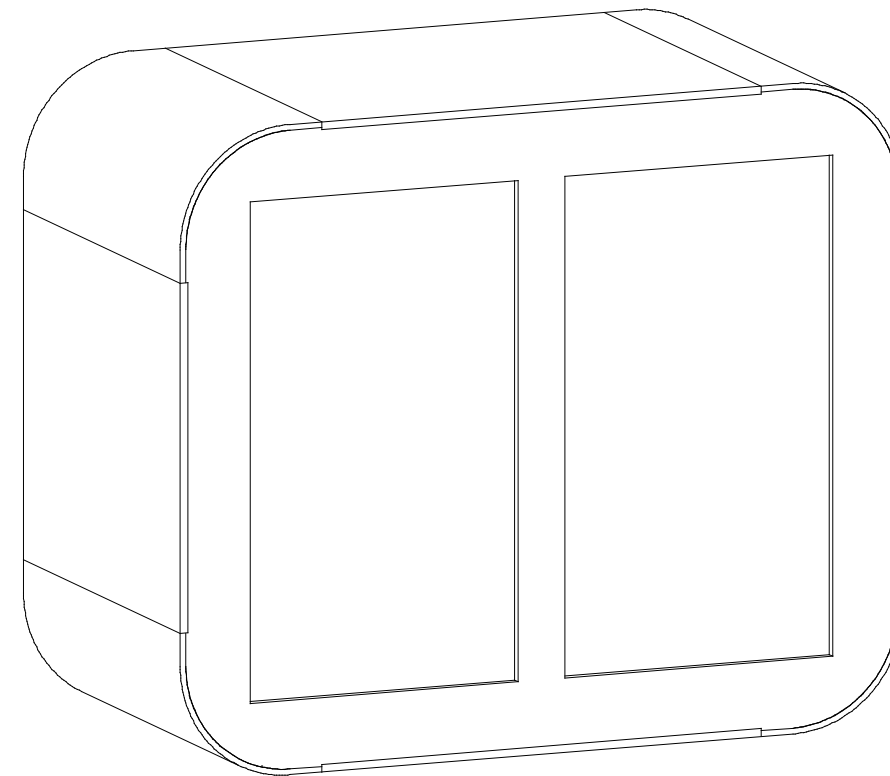
Maximum of 3 lights per Transformer

Steps:

- 1) Connect power cords to lights in Reception Counter.
- 2) Attach Graphic to front of counter using standoff barrels.

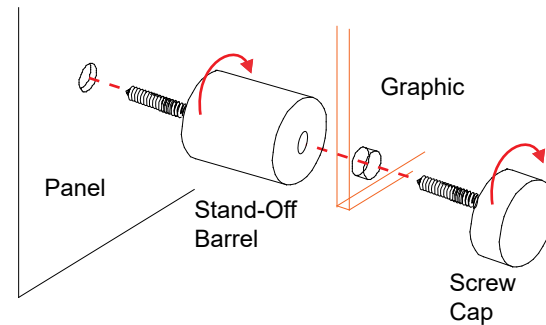


FRONT VIEW



BACK VIEW

*** Graphic Attachment**



Attach standoff barrel into panel.
Connect graphic to standoff
using screw cap.

CRATE PACKING